

8

7

6

5

4

3

2

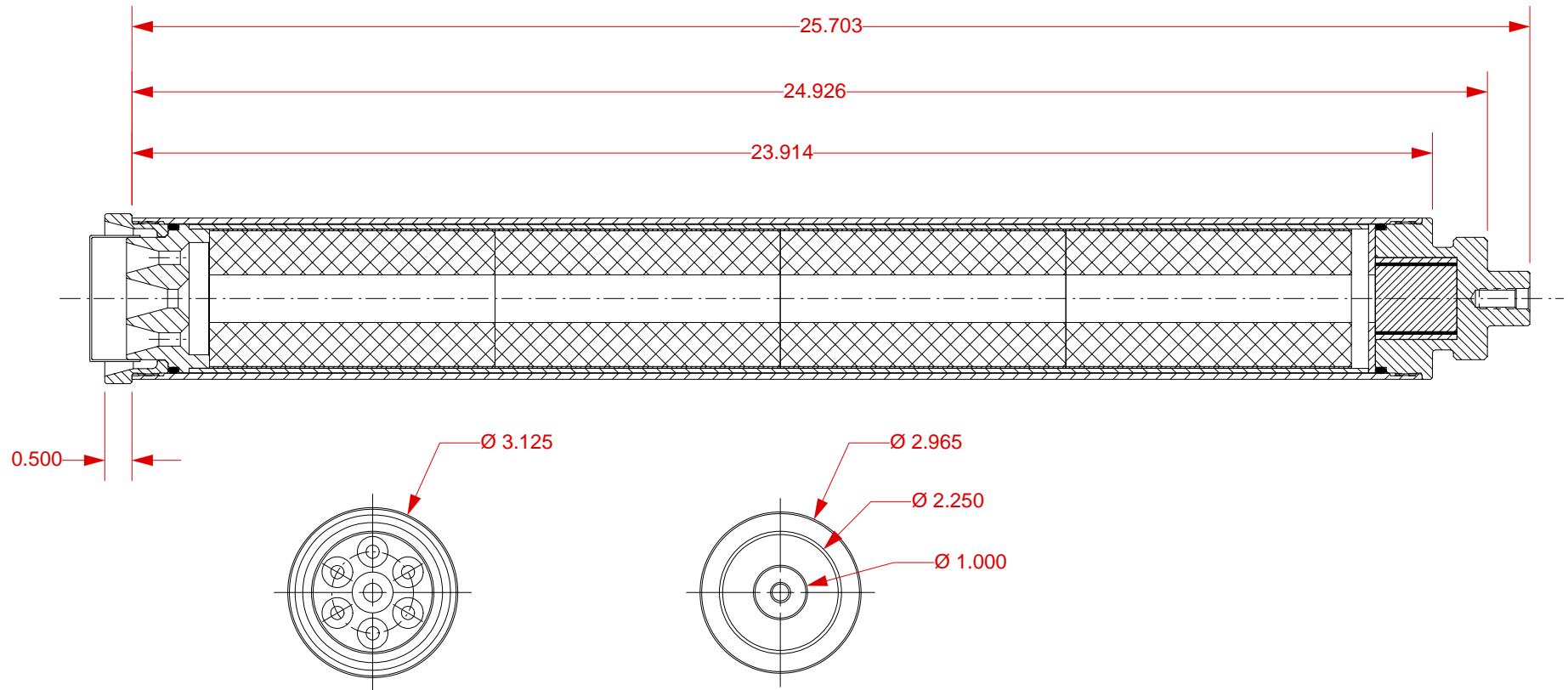
1

REVISIONS

EFFECTIVITY	REV	DESCRIPTION	DATE	APPROVED
FUTURE	A	FIRST RELEASE ISSUE	10 / 22 / 03	

NOTES:

1. MOTOR ASSEMBLY SHOWN WITH OVERALL EXTERIOR DIMENSIONS.



VIEW AFT CLOSURE

VIEW FORWARD CLOSURE

SUPPLIER DATA

RELOAD KIT IDENTIFICATION

UNLESS OTHERWISE SPECIFIED
DIMENSIONS ARE IN INCHES

QTY	PART NUMBER	DESCRIPTION	ITEM
LIST OF MATERIAL			
CONTRACT NUMBER		AEROTECH CONSUMER AEROSPACE 2113 W. 850 N. Street Cedar City, Utah 84720 (435) 865-7100 (Ph) (435) 865-7120 (Fax)	
PREP	B. ROSEFIELD	10 / 03	HP 75/5120 MOTOR DIMENSIONAL DRAWING ASSY DWG
CHKR			
APVD			
APVD			
FINISH		SCALE 1 / 3	SHEET 1 OF 1

PART NUMBER

DESCRIPTION

8

7

6

5

4

3

2

1